

10 Gb/s 1310nm SFP+ 10 km Transceiver

SFP+ Series



The transceiver consists of five sections: the LD driver, the limiting amplifier, the digital diagnostic monitor, the 1310nm FP laser and the PIN photo-detector. The module data link up to 10 km using 9/125 μ m single-mode fiber.

The optical output can be disabled by a TTL logic high-level input of Tx Disable, and the system also can disable the module via I2C. Tx Fault is provided to indicate that degradation of the laser. Loss Of signal (LOS) output is provided to indicate the loss of an input optical signal of receiver or the link status with partner.

The system can also get the LOS (or Link)/Disable/Fault information via I2C register access. The metal housing ensures low EMI interference standards, with connector retainer.

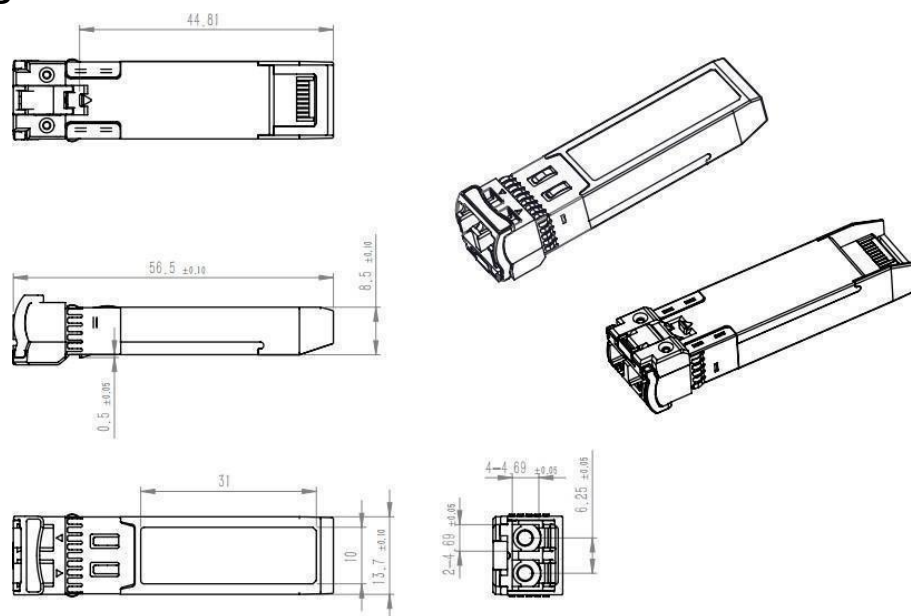
Key Features

- Compliant with SFP+ MSA
- Support data rate up to 11.32Gb/s
- Hot-Pluggable SFP Footprint and Dual LC Connector
- Up to 10km reach for G.652 SMF
- 1310nm DFB laser and PIN receiver
- ESD protect
- Low EMI metals
- Temperature Range:
 - Commercial: 0°C to +70°C
 - Industrial: -40°C to +85°C
- Compliant with SFP-8431
- Compliant with SFP-8432
- Compliant with SFP-8472
- Compliant with IEEE802.3ae
- Compliant with RoHS, FCC

Specifications

Parameter	Symbol	Min.	Typ.	Max.	Unit	Note
Operating Case Temperature	T _{OP}	-40	-	85	°C	Commercial
						Industrial
Power Supply Voltage	V _{CC}	3.1	3.3	3.5	V	
Data Rate	BR	1.25	10.3125		Gbps	
Transmission Distance	TD			10	km	
CML Inputs(Differential)	V _{in} , pp	180		700	mV	
CML Outputs (Differential)	V _{out}	350		700	mVpp	
Data Rate	V _{CC}	1.25	10.3125	11.32	Gbps	
Center Wavelength	λ _c	1260	1310	1355	nm	
Average Output Power	P _{out}	-8.2		0.5	dBm	
Average Power of OFF Transmitter	P _{off}			-30	dBm	
Wavelength Range	λ _c	1260		1620	nm	

Outline Diagram



Ordering Information

Product Name	Product Description
SFPP-ATLP-31-10	SFP+ plug-in, 10 Gbps, 10 km, TX=1310/RX wide, on two single-mode fibers, LC/PC Blue
SFPP-ATLP-31-10A	SFP+plug-in, 10 Gbps, 10 km, TX=1310/RX wide, on two single-mode fibers, LC/PC Blue, Industrial Temp -40 to +85°C
JSPP-ATLP-31-10	SFP+ plug-in, 10 Gbps, 10 km, TX=1310/RX wide, on two single-mode fibers, LC/PC Blue, Compatible with Juniper
JSPP-ATLP-31-10A	SFP+plug-in, 10 Gbps, 10 km, TX=1310/RX wide, on two single-mode fibers, LC/PC Blue, Industrial Temp -40 to +85°C, Compatible with Juniper



Ascent Communication Technology Ltd

AUSTRALIA

140 William Street, Melbourne
Victoria 3000, AUSTRALIA
Phone: +61-3-8691 2902

Hong Kong SAR

Room 1210, 12th Floor, Wing Tuck Commercial Centre
181 Wing Lok Street, Sheung Wan , Hong Kong SAR
Phone: +852-2851 4722

CHINA

Unit 1933, 600 Luban Road
200023, Shanghai, CHINA
Phone: +86-21-60232616

USA

2710 Thomes Ave
Cheyenne, WY 82001, USA
Phone: +1 203 350 9822

EUROPE

Pfarrer-Bensheimer-Strasse 7a
55129 Mainz, GERMANY
Phone: +49 (0) 6136 926 3246

VIETNAM

11th Floor, Hoa Binh Office Tower
106 Hoang Quoc Viet Street, Nghia Do Ward
Cau Giay District, Hanoi 10649, VIETNAM
Phone: +84-24-37955917

WEB: www.ascentcomtec.com

EMAIL: sales@ascentcomtec.com

Specifications and product availability are subject to change without notice.

Copyright © 2026 Ascent Communication Technology Limited. All rights reserved.

Ver. ACT_SFPP-ATLP-31-10_Overview_V1m_Jan_2021