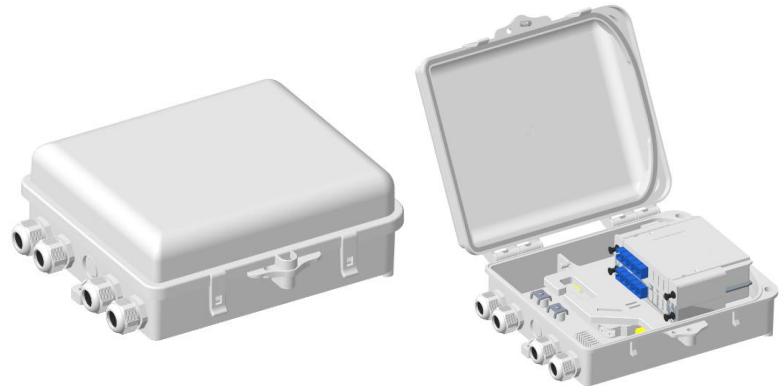


Fiber Optic Terminal Box

OTB Series



- **ABS plastic material**
- **White or black color**
- **Waterproof, IP65**
- **With 1pc OST-050 splice tray, max. 24 fibers**
- **Outdoor wall mounted, pole mounted application**

The A-OTB-P029 Fiber Optic Terminal Box is a compact and reliable solution designed for fiber distribution, splicing, and splitter integration in FTTH and access networks. Engineered for outdoor deployment, the enclosure supports both wall-mounted and pole-mounted installations, providing flexible deployment options for last-mile connectivity. Its lightweight yet durable design makes it ideal for residential, commercial, and telecom network applications.

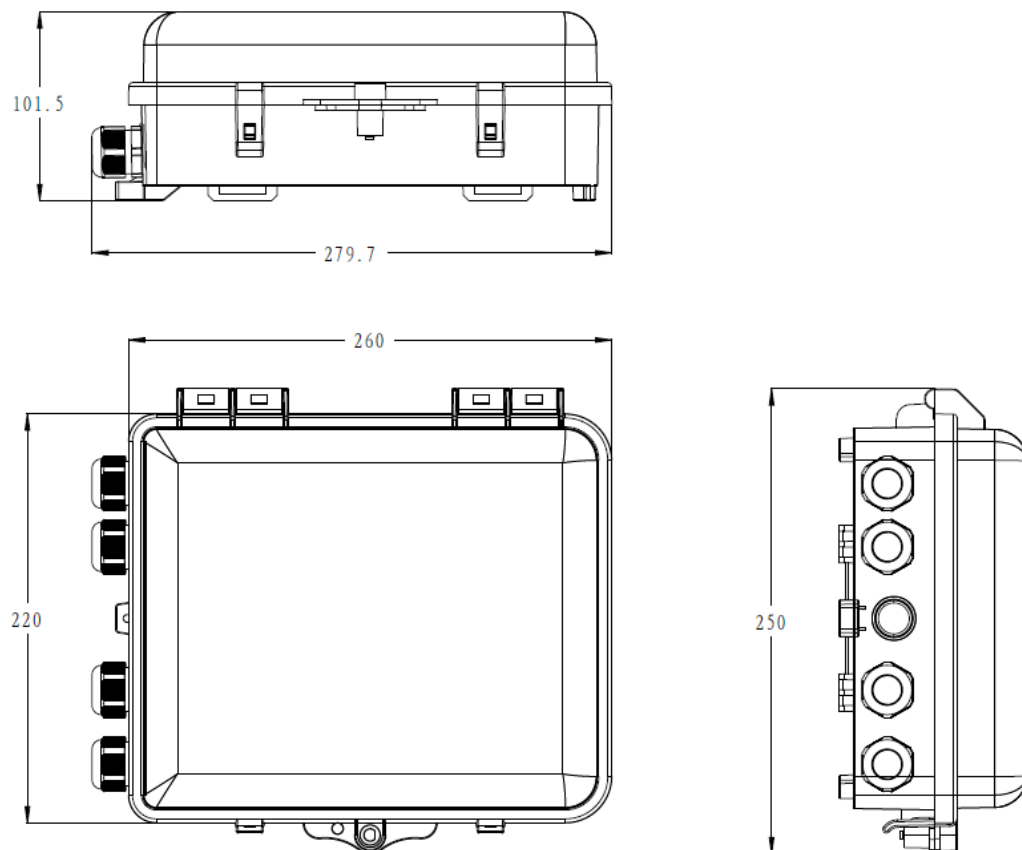
Constructed from high-quality ABS plastic, the A-OTB-P029 offers excellent mechanical strength and environmental protection, with an IP65-rated waterproof sealing structure for reliable operation in harsh outdoor conditions. The box supports a maximum capacity of 24 fibers and can accommodate PLC splitter configurations of 1x8 or 1x16, enabling efficient fiber distribution within a compact footprint. Multiple cable entry ports with gland protection ensure secure cable routing and management.

Designed for ease of installation and maintenance, the A-OTB-P029 includes an integrated splice tray system, organized cable management, and essential accessories for quick deployment. Its modular structure allows efficient fiber handling, protection, and expansion, making it a cost-effective and practical solution for FTTH rollout, access network distribution points, and outdoor fiber termination applications.

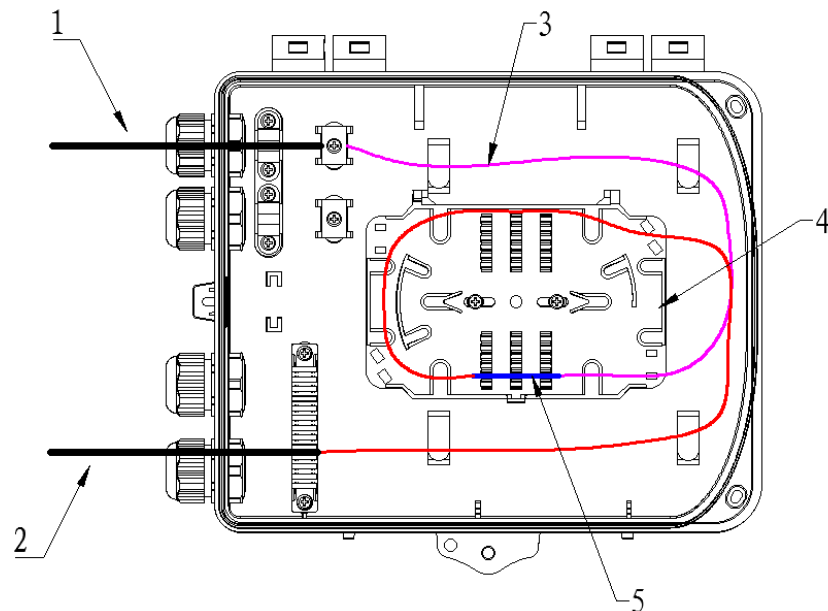
Key Features

- ABS plastic material
- White or black color
- Mechanical sealing structure
- Waterproof, IP65
- Cable port: 4pcs cable gland PG19 suitable for $\Phi 12-15\text{mm}$ cable entry, and 1pc $\Phi 20\text{mm}$ reserved hole.
- With 1pc OST-050 splice tray, max. 24 fibers
- Can load 2pcs 1x8 or 1pc 1x16 splitter cassette
- Outdoor wall mounted, pole mounted application

Outline Dimension



Instructions



- 1. Fiber optic cable entry port
- 2. Fiber optic cable exit port
- 3. Fiber optic stripping fiber
- 4. Fiber optic splice tray
- 5. Fiber heat shrinkable protection sleeve

Specifications

Accessories

Item	Value	Qty
Heat Shrinkable Protection Sleeve	40x2.6x1.2mm	24pcs
Cable Tie	3*120mm, white color	6pcs
Screws	C type 4*30, metal	3pcs
Plastic Expansion Pipe	Φ6mm, white color	3pcs
Key	ABS plastic, white color	1pc

Optional Accessories

Item	Value	Qty
Pole Mounted Kit	12*620mm stainless tape	2pcs

Packing Information

Item	Value
8pcs per Carton, each Carton	54x48x31cm

Ordering Information

Product Name

A-OTB-P029

Product Description

Fiber Optic Terminal box ABS Outdoor wall/pole mounted 24 fibers capacity with accessories

Contact Information



Ascent Communication Technology Ltd

AUSTRALIA

140 William Street, Melbourne
Victoria 3000, AUSTRALIA
Phone: +61-3-8691 2902

Hong Kong SAR

Room 1210, 12th Floor, Wing Tuck Commercial Centre
181 Wing Lok Street, Sheung Wan , Hong Kong SAR
Phone: +852-2851 4722

CHINA

Unit 1933, 600 Luban Road
200023, Shanghai, CHINA
Phone: +86-21-60232616

USA

2710 Thomes Ave
Cheyenne, WY 82001, USA
Phone: +1 203 350 9822

EUROPE

Pfarrer-Bensheimer-Strasse 7a
55129 Mainz, GERMANY
Phone: +49 (0) 6136 926 3246

VIETNAM

11th Floor, Hoa Binh Office Tower
106 Hoang Quoc Viet Street, Nghia Do Ward
Cau Giay District, Hanoi 10649, VIETNAM
Phone: +84-24-37955917

WEB: www.ascentcomtec.com

EMAIL: sales@ascentcomtec.com

Specifications and product availability are subject to change without notice.
Copyright © 2026 Ascent Communication Technology Limited. All rights reserved.
Ver. ACT_A-OTB-P029_Datasheet_V1b_Apr_2025