

40 Gb/s QSFP+ SR4 Transceiver with DDM



QSFP+ Series

- **Compliant with QSFP+ MSA**
- **4x10Gbps 850nm VCSEL-based Transmitter**
- **Maximum Link Length of 300m via OM3 Multimode Fiber(MMF)**

Ascent's QSFP-AQ-MP-85-03 QSFP transceivers are designed for use in 40 Gigabit per second links over multimode fiber. They are compliant with the QSFP+ MSA and IEEE 802.3ba 40GBASE-SR4.

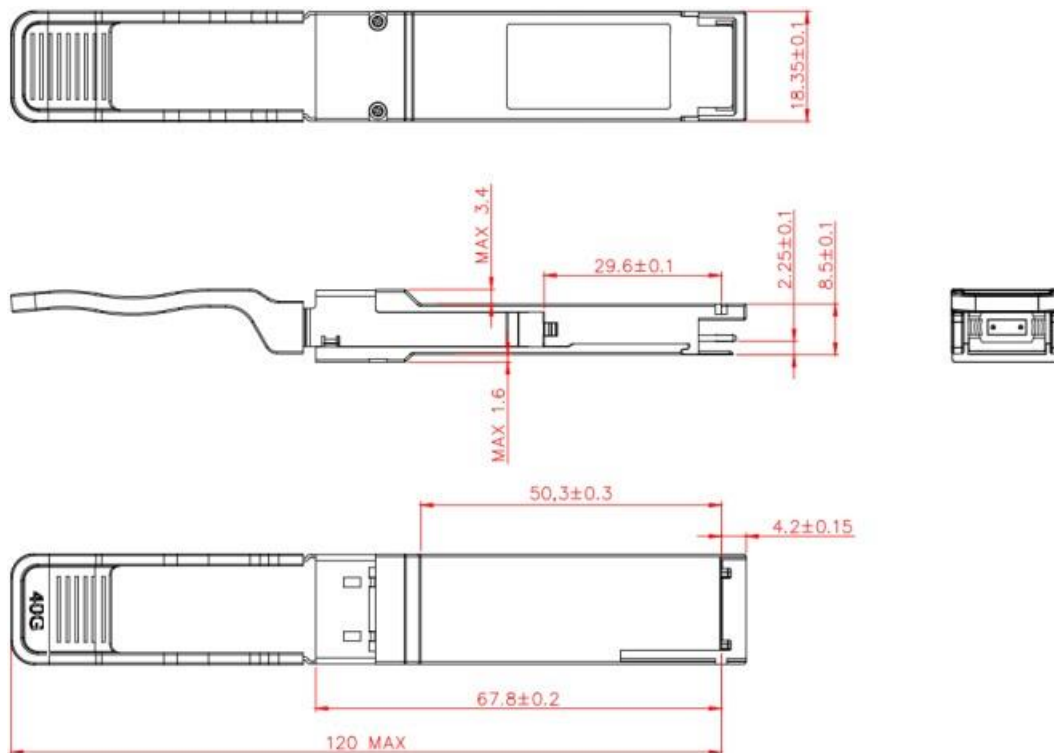
The optical transmitter portion of the transceiver incorporates a 4-channel VCSEL array, a 4-channel input buffer and laser driver, diagnostic monitors, control and bias blocks. For module control, the control interface incorporates a two-wire serial interface of clock and data signals. Diagnostic monitors for VCSEL bias, module temperature, transmitted optical power, received optical power and supply voltage are implemented and results are available through the TWS interface. Alarm and warning thresholds are established for the monitored attributes. Fault detection or channel deactivation through the TWS interface will disable the channel. Status, alarm/warning and fault information are available via the TWS interface.

The optical receiver portion of the transceiver incorporates a 4-channel PIN photodiode array, a 4-channel TIA array, a 4-channel output buffer, diagnostic monitors, and control and bias blocks. Diagnostic monitors for optical input power are implemented and results are available through the TWS interface. Alarm and warning thresholds are established for the monitored attributes.

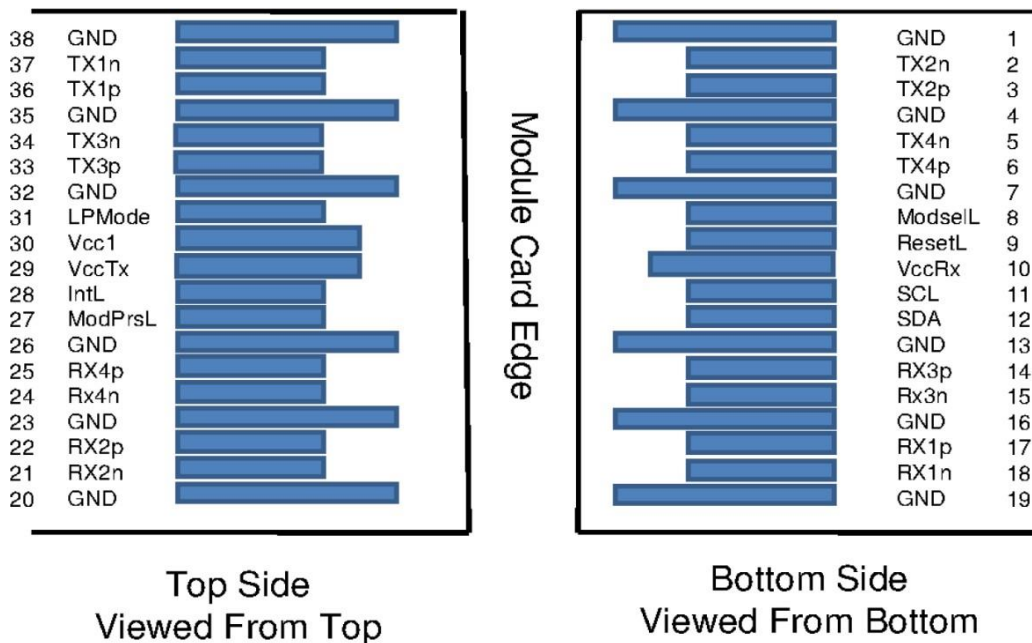
Key Features

- Compliant with QSFP+ MSA Specification
- Operating Temperature(0°C to 70°C)
- 4x10Gbps 850nm VCSEL-based Transmitter
- Maximum Link Length of 300m via OM3 Multimode Fiber(MMF)
- Be compliant to the 40GbE XLPII electrical specification per IEEE 802.3ba-2010
- Be compliant to the IEEE 802.3ae 10GBASE-SR optical specification

Outline Dimension



Pin Assignment



Pin	Logic	Symbol	Name/Description	Note
1		GND	Ground	
2	CML-I	Tx2n	Transmitter Inverted Data Input	
3	CML-I	Tx2p	Transmitter Non-Inverted Data output	
4		GND	Ground	
5	CML-I	Tx4n	Transmitter Inverted Data Input	
6	CML-I	Tx4p	Transmitter Non-Inverted Data output	
7		GND	Ground	
8	LVTTL-I	ModSelL	Module Select	
9	LVTTL-I	ResetL	Module Reset	
10		VccRx	+ 3.3V Power Supply Receiver	
11	LVC MOS-I/O	SCL	2-Wire Serial Interface Clock	
12	LVC MOS-I/O	SDA	2-Wire Serial Interface Data	
13		GND	Ground	
14	CML-O	Rx3p	Receiver Non-Inverted Data Output	
15	CML-O	Rx3n	Receiver Inverted Data Output	
16		GND	Ground	
17	CML-O	Rx1p	Receiver Non-Inverted Data Output	
18	CML-O	Rx1n	Receiver Inverted Data Output	
19		GND	Ground	
20		GND	Ground	
22	CML-O	Rx2p	Receiver Non-Inverted Data Output	
23		GND	Ground	
24	CML-O	Rx4n	Receiver Inverted Data Output	
25	CML-O	Rx4p	Receiver Non-Inverted Data Output	

Pin	Logic	Symbol	Name/Description	Note
26		GND	Ground	
27	LVTTL-O	ModPrsL	Module Present	
28	LVTTL-O	IntL	Interrupt	
29		VccTx	+3.3 V Power Supply transmitter	
30		Vcc1	+3.3 V Power Supply	
31	LVTTL-I	LPMode	Low Power Mode	
32		GND	Ground	
33	CML-I	Tx3p	Transmitter Non-Inverted Data Input	
34	CML-I	Tx3n	Transmitter Inverted Data Output	
35		GND	Ground	
36	CML-I	Tx1p	Transmitter Non-Inverted Data Input	
37	CML-I	Tx1n	Transmitter Inverted Data Output	
38		GND	Ground	

Specifications

Absolute Maximum Ratings

Parameter	Symbol	Min.	Typ.	Max.	Unit	Note
Storage Temperature	T _s	-40		85	°C	
Relative Humidity	RH	0		85	%	

Recommended Operating Conditions

Parameter	Symbol	Min.	Typ.	Max.	Unit	Note
Operating Case Temperature	T _c	0		70	°C	
Power Supply Voltage	V _{cc}	3.135	3.3	3.465	V	
Signaling Rate each Channel			10.3125		Gbps	
Supply Noise Rejection		---	---	100	mV	
Receiver Differential Data Output		---	100		Ohm	
Operating Distance	D			300	m	OM3 MMF

Optical Characteristics

Parameter	Symbol	Min	Typ.	Max	Unit	Note
Transmitter						
Signaling Rate, each lane (range)	GBb		10.3125		GBb	
Center Wavelength	λ	840	850	860	nm	
RMS Spectral Width	SW			0.6	nm	
Average Launch Power, each Lane	P _f	-4		2.4	dBm	
Optical Modulation Amplitude (OMA), each Lane	TxOMA	-4		3	dBm	
Average Launch Power of OFF Transmitter, each Lane				-30	dBm	
Extinction Ratio	ER	3			dB	
Optical Return Loss Tolerance				12	dB	
Receiver						
Signaling rate, each lane (range)	GBb		10.3125		GBb	
Center Wavelength	λ	840		860	nm	
Damage threshold		3.4			dBm	
Average power at receiver input, each lane		-11.5		2.4	dBm	
Receive power, each lane (OMA)				3	dBm	
Receiver sensitivity (OMA)	SOMA			-11.1	dBm	BER@1e-12
Receiver reflectance				-12	dB	
LOS Assert	LOSA	-30			dBm	
LOS De-Assert	LOSD			-11	dBm	
LOS Hysteresis		0.5			dB	

Electrical Characteristics

Parameter	Symbol	Min	Typ.	Max	Unit	Note
Power Consumption				1.5	W	
Supply Current	I _{cc}			450	mA	

Ordering Information

Product Name

QSFP-AQ-MP-85-03

Product Description

QSFP+ Plug-in, 40 Gbps, 300 m OM3 fiber, 400 m OM4 fiber, TX/RX 850 nm SR4, with DDM on two multi-mode fibers, MPO connector

Contact Information

**Ascent Communication Technology Ltd****AUSTRALIA**

140 William Street, Melbourne
Victoria 3000, AUSTRALIA
Phone: +61-3-8691 2902

Hong Kong SAR

Room 1210, 12th Floor, Wing Tuck Commercial Centre
181 Wing Lok Street, Sheung Wan, Hong Kong SAR
Phone: +852-2851 4722

CHINA

Unit 1933, 600 Luban Road
200023, Shanghai, CHINA
Phone: +86-21-60232616

USA

2710 Thomes Ave
Cheyenne, WY 82001, USA
Phone: +1 203 350 9822

EUROPE

Pfarrer-Bensheimer-Strasse 7a
55129 Mainz, GERMANY
Phone: +49 (0) 6136 926 3246

VIETNAM

11th Floor, Hoa Binh Office Tower
106 Hoang Quoc Viet Street, Nghia Do Ward
Cau Giay District, Hanoi 10649, VIETNAM
Phone: +84-24-37955917

WEB: www.ascentcomtec.com

EMAIL: sales@ascentcomtec.com

Specifications and product availability are subject to change without notice.
Copyright © 2026 Ascent Communication Technology Limited. All rights reserved.
Ver. ACT_QSFP-AQ-MP-85-03_Datasheet_V1e_Jan_2020