

## 1.25 Gb/s 1550 nm Single-Mode SFP Transceiver

---



### SFP Series

- Up to 1.25 Gb/s data links with DDM
- DFB laser transmitter and PIN photo-detector
- Up to 80 km on 9/125  $\mu$ m SMF
- Hot-pluggable SFP footprint
- Duplex LC/UPC type pluggable optical interface
- Low power consumption
- Metal enclosure, for lower EMI
- RoHS compliant and lead-free
- Support Digital Diagnostic Monitoring interface
- Single +3.3V power supply
- Compliant with SFF-8472

ASCENT's SFP-AG-LP-51-80 Small Form Factor Pluggable (SFP) transceivers are flexible solution as an interface for switches, routers, servers, and other optical links. They are compatible with the Small Form Factor Pluggable Multi-Sourcing Agreement (MSA).

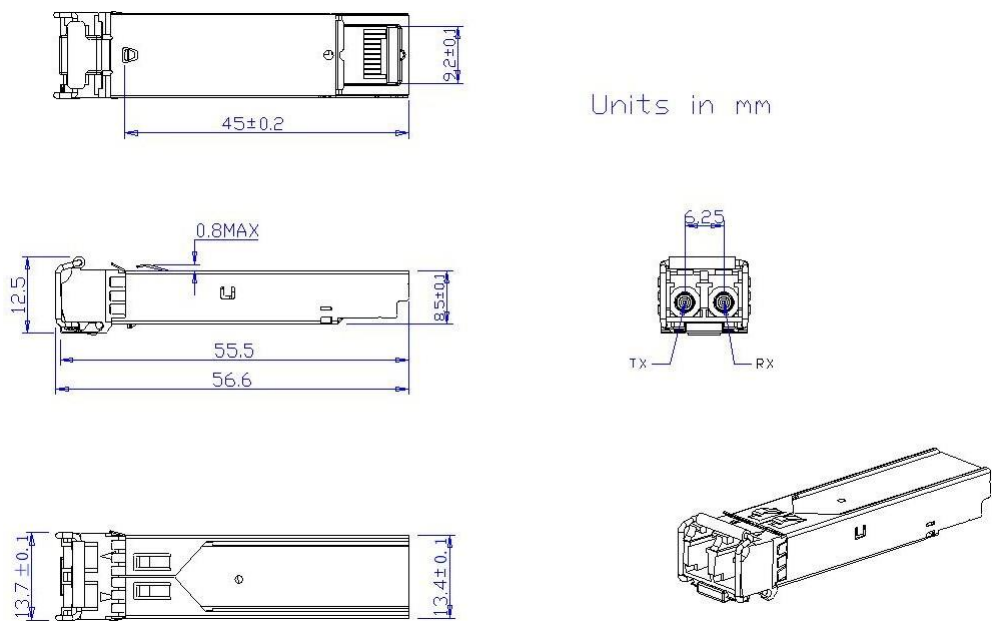
The transceiver consists of five sections: the LD driver, the limiting amplifier, the digital diagnostic monitor, the DFB laser and the PIN photo-detector. The module data link up to 80 km in 9/125  $\mu$ m single mode fiber.

The optical output can be disabled by a TTL logic high-level input of Tx Disable, and the system also can disable the module via I2C. Tx Fault is provided to indicate that degradation of the laser. Loss of signal (LOS) output is provided to indicate the loss of an input optical signal of receiver or the link status with partner. The system can also get the LOS (or Link)/Disable/Fault information via I2C register access.

## Key Features

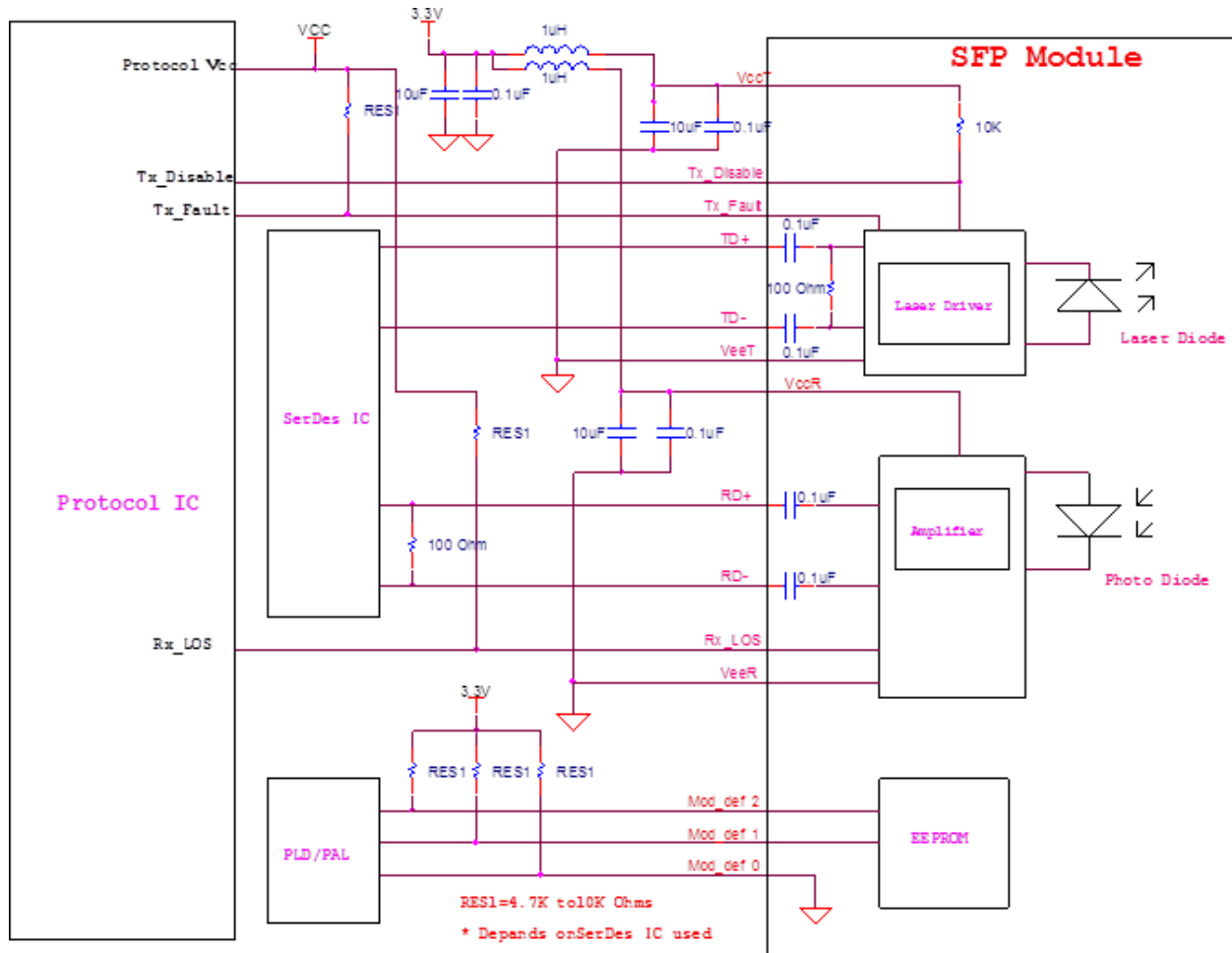
- Up to 1.25 Gb/s data links with DDM
- DFB laser transmitter and PIN photo-detector
- Up to 80 km on 9/125  $\mu$ m SMF
- Hot-pluggable SFP footprint
- Duplex LC/UPC type pluggable optical interface
- Low power consumption
- Metal enclosure, for lower EMI
- RoHS compliant and lead-free
- Support Digital Diagnostic Monitoring interface
- Single +3.3V power supply
- Compliant with SFF-8472

## Outline Diagram



**SFP-AG-LP-51-80-A**

## Recommended Interface Circuit

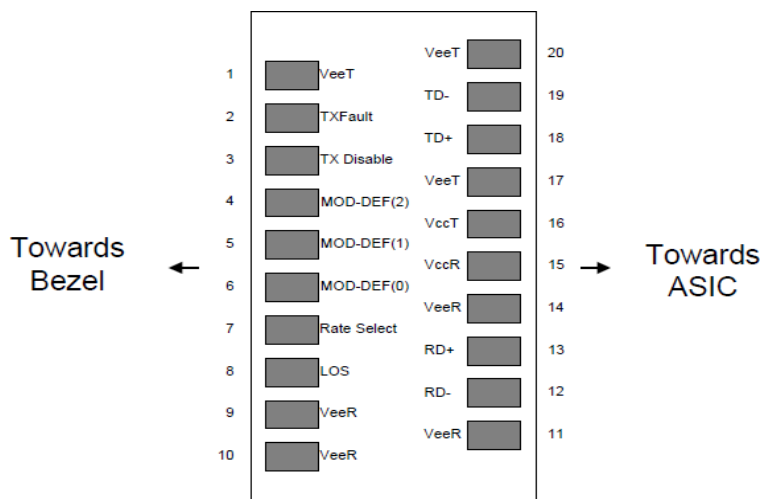


## Pin Description

Pin	Symbol	Name/Description	Note
1	V <sub>EET</sub>	Transmitter Ground (Common with Receiver Ground)	1
2	T <sub>FAULT</sub>	Transmitter Fault.	
3	T <sub>DIS</sub>	Transmitter Disable. Laser output disabled on high or open.	2
4	MOD_DEF(2)	Module Definition 2. Data line for Serial ID.	3
5	MOD_DEF(1)	Module Definition 1. Clock line for Serial ID.	3
6	MOD_DEF(0)	Module Definition 0. Grounded within the module.	3
7	Rate Select	No connection required	4
8	LOS	Loss of Signal indication. Logic 0 indicates normal operation.	5
9	V <sub>EER</sub>	Receiver Ground (Common with Transmitter Ground)	1
10	V <sub>EER</sub>	Receiver Ground (Common with Transmitter Ground)	1
11	V <sub>EER</sub>	Receiver Ground (Common with Transmitter Ground)	1
12	RD-	Receiver Inverted DATA out. AC Coupled	
13	RD+	Receiver Non-inverted DATA out. AC Coupled	
14	V <sub>EER</sub>	Receiver Ground (Common with Transmitter Ground)	1
15	V <sub>CCR</sub>	Receiver Power Supply	
16	V <sub>CCT</sub>	Transmitter Power Supply	
17	V <sub>EET</sub>	Transmitter Ground (Common with Receiver Ground)	1
18	TD+	Transmitter Non-Inverted DATA in. AC Coupled.	
19	TD-	Transmitter Inverted DATA in. AC Coupled.	
20	V <sub>EET</sub>	Transmitter Ground (Common with Receiver Ground)	1

### Notes:

- Circuit ground is internally isolated from chassis ground.
- Laser output disabled on T<sub>DIS</sub> >2.0V or open, enabled on T<sub>DIS</sub> <0.8V.
- Should be pulled up with 4.7k - 10kΩ on host board to a voltage between 2.0V and 3.6V. MOD\_DEF (0) pulls line low to indicate module is plugged in.
- This is an optional input used to control the receiver bandwidth for compatibility with multiple data rates (most likely Fiber Channel 1x and 2x Rates). If implemented, the input will be internally pulled down with > 30kΩ resistor. The input states are:
  - Low (0 – 0.8V): Reduced Bandwidth
  - (>0.8, < 2.0V): Undefined
  - High (2.0 – 3.465V): Full Bandwidth
  - Open: Reduced Bandwidth
- LOS is open collector output should be pulled up with 4.7k - 10kΩ on host board to a voltage between 2.0V and 3.6V. Logic 0 indicates normal operation; logic 1 indicates loss of signal.



Pin out of Connector Block on Host Board

## Specifications

### Absolute Maximum Ratings

Parameter	Symbol	Min.	Typ.	Max.	Unit	Note
Storage Temperature	T <sub>s</sub>	-40		85	°C	
Relative Humidity	RH	5		95	%	
Power Supply Voltage	V <sub>cc</sub>	-0.5		4	V	
Signal Input Voltage		-0.3		V <sub>cc</sub> +0.3	V	
Receiver Damage Threshold		5			dBm	

### Recommended Operating Conditions

Parameter	Symbol	Min.	Typ.	Max.	Unit	Note
Case Operating Temperature	T <sub>case</sub>	0		70	°C	SFP-AG-LP-51-80
		-40		85	°C	SFP-AG-LP-51-80A
Power Supply Voltage	V <sub>cc</sub>	3.13	3.3	3.47	V	
Power Supply Current	I <sub>cc</sub>			300	mA	
Power Supply Noise Rejection				100	mVp-p	100 Hz to 1 MHz
Data Rate			1250/1250		Mbps	TX Rate/RX Rate
Transmission Distance				80	km	
Coupled Fiber	Single-mode fiber					9/125 μm SMF

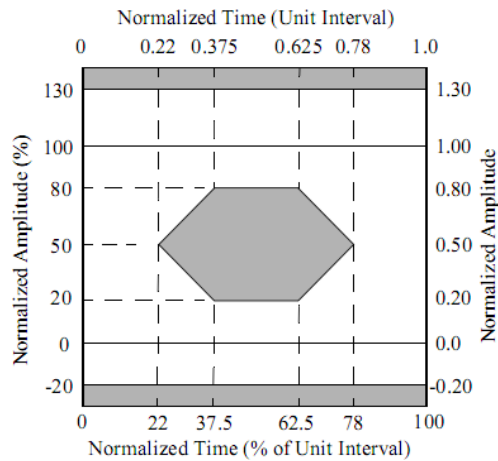
### Transmitter Specifications

Parameter	Symbol	Min.	Typ.	Max.	Unit	Note
Average Output Power	P <sub>OUT</sub>	0		5	dBm	1
Extinction Ratio	ER	9			dB	

Center Wavelength	$\lambda_c$	1530	1550	1570	nm	DFB Laser
Side Mode Suppression Ratio	SMSR	30			dB	
Spectrum Bandwidth(-20dB)	$\sigma$			1	nm	
Transmitter OFF Output Power	$P_{off}$			-45	dBm	
Differential Line Input Impedance	RIN	90	100	110	$\Omega$	
Output Eye Mask	Compliant with IEEE802.3 z (class 1 laser safety)					2

## Notes

1. Measure at  $2^7-1$  NRZ PRBS pattern.
2. Transmitter eye mask definition.



## Receiver Specifications

Parameter	Symbol	Min.	Typ.	Max.	Unit	Note
Input Optical Wavelength	$\lambda_{IN}$	1270		1610	nm	PIN-TIA
Receiver Sensitivity	$P_{IN}$			-26	dBm	1
Input Saturation Power (Overload)	$P_{SAT}$	-3			dBm	
Loss Of Signal Assert	$P_A$			-26	dBm	
Loss Of Signal De-assert	$P_D$	-38			dBm	2
LOS Hysteresis	$P_A-P_D$	0.5	2	6	dB	

## Notes

1. Measured with Light source 1550 nm, ER = 9 dB; BER  $\leq 10^{-12}$  @ PRBS= $2^7-1$  NRZ
2. When LOS de-asserted, the RX data $\pm$  output is high-level (fixed)

## Electrical Interface Characteristics

Parameter	Symbol	Min.	Typ.	Max.	Unit	Note
<b>Transmitter</b>						
Total Supply Current	$I_{CC}$			A	mA	1
Transmitter Disable Input-High	$V_{DISH}$	2		$V_{CC}+0.3$	V	
Transmitter Disable Input-Low	$V_{DISL}$	0		0.8	V	
Transmitter Fault Input-High	$V_{TXFH}$	2		$V_{CC}+0.3$	V	

Transmitter Fault Input-Low	$V_{TXFL}$	0	0.8	V	
<b>Receiver</b>					
Total Supply Current	$I_{CC}$		B	mA	1
LOSS Output Voltage-High	$V_{LOSH}$	2	$V_{CC}+0.3$	V	LVTTL
LOSS Output Voltage-Low	$V_{LOSL}$	0	0.8	V	

## Notes

1. A (TX) + B (RX) = 300mA (Not include termination circuit)

## Regulatory Compliance

Feature	Reference	Performance
Electrostatic Discharge (ESD)	IEC/EN 61000-4-2	Compatible with standards
Electromagnetic Interference (EMI)	FCC Part 15 Class B EN 55022 Class B (CISPR 22A)	Compatible with standards
Laser Eye Safety	FDA 21CFR 1040.10, 1040.11 IEC/EN 60825-1, 2	Class 1 laser product
Component Recognition	IEC/EN 60950, UL	Compatible with standards
ROHS	2002/95/EC	Compatible with standards
EMC	EN61000-3	Compatible with standards

## Digital Diagnostic Functions

ASCENT SFP-AG-LP-51-80-A transceivers support the 2-wire serial communication protocol as defined in the SFP MSA. It is very closely related to the E2PROM defined in the GBIC standard, with the same electrical specifications.

The standard SFP serial ID provides access to identification information that describes the transceiver's capabilities, standard interfaces, manufacturer, and other information.

Additionally, ASCENT SFP transceivers provide a unique enhanced digital diagnostic monitoring interface, which allows real-time access to device operating parameters such as transceiver temperature, laser bias current, transmitted optical power, received optical power and transceiver supply voltage. It also defines a sophisticated system of alarm and warning flags, which alerts end-users when particular operating parameters are outside of a factory set normal range.

The SFP MSA defines a 256-byte memory map in E2PROM that is accessible over a 2-wire serial interface at the 8 bit address 1010000X (A0h). The digital diagnostic monitoring interface makes use of the 8 bit address 1010001X (A2h), so the originally defined serial ID memory map remains unchanged. The interface is identical to, and is thus fully backward compatible with both the GBIC Specification and the SFP Multi Source Agreement.

The operating and diagnostics information is monitored and reported by a Digital Diagnostics Transceiver Controller (DDTC) inside the transceiver, which is accessed through a 2-wire serial interface. When the serial protocol is activated, the serial clock signal (SCL, Mod Def 1) is generated by the host. The positive edge clocks data into the SFP transceiver into those segments of the E2PROM that are not write-protected. The negative edge clocks data from the SFP transceiver. The serial data signal (SDA, Mod Def 2) is bi-

directional for serial data transfer. The host uses SDA in conjunction with SCL to mark the start and end of serial protocol activation. The memories are organized as a series of 8-bit data words that can be addressed individually or sequentially.

Digital diagnostics for the SFP-AG-LP-51-80-A are internally calibrated by default.

## Ordering Information

---

<b>Product Name</b>	<b>Product Description</b>
SFP-AG-LP-51-80	SFP Plug-in, 1.25Gbps, 80 km, TX=1550/RX wide, on two single mode fibers, LC/PC Blue
SFP-AG-LP-51-80A	SFP Plug-in, 1.25Gbps, 80 km, TX=1550/RX wide, on two single mode fibers, LC/PC Blue, -40 to +85°C
JSP-AG-LP-51-80	SFP Plug-in, 1.25Gbps, 80km, TX=1550/RX wide, on two single mode fibers, LC/PC Blue, Compatible with Juniper
JSP-AG-LP-51-80A	SFP Plug-in, 1.25Gbps, 80km, TX=1550/RX wide, on two single mode fibers, LC/PC Blue, -40 to +85°C, Compatible with Juniper

## Contact Information

---



### Ascent Communication Technology Ltd

#### AUSTRALIA

140 William Street, Melbourne  
Victoria 3000, AUSTRALIA  
Phone: +61-3-8691 2902

#### Hong Kong SAR

Room 1210, 12th Floor, Wing Tuck Commercial Centre  
181 Wing Lok Street, Sheung Wan , Hong Kong SAR  
Phone: +852-2851 4722

#### CHINA

Unit 1933, 600 Luban Road  
200023, Shanghai, CHINA  
Phone: +86-21-60232616

#### USA

2710 Thomes Ave  
Cheyenne, WY 82001, USA  
Phone: +1 203 350 9822

#### EUROPE

Pfarrer-Bensheimer-Strasse 7a  
55129 Mainz, GERMANY  
Phone: +49 (0) 6136 926 3246

#### VIETNAM

11th Floor, Hoa Binh Office Tower  
106 Hoang Quoc Viet Street, Nghia Do Ward  
Cau Giay District, Hanoi 10649, VIETNAM  
Phone: +84-24-37955917

**WEB:** [www.ascentcomtec.com](http://www.ascentcomtec.com)

**EMAIL:** [sales@ascentcomtec.com](mailto:sales@ascentcomtec.com)

Specifications and product availability are subject to change without notice.  
Copyright © 2026 Ascent Communication Technology Limited. All rights reserved.  
Ver. ACT\_SFP-AG-LP-51-80\_Datasheet\_V1d\_Jun\_2017